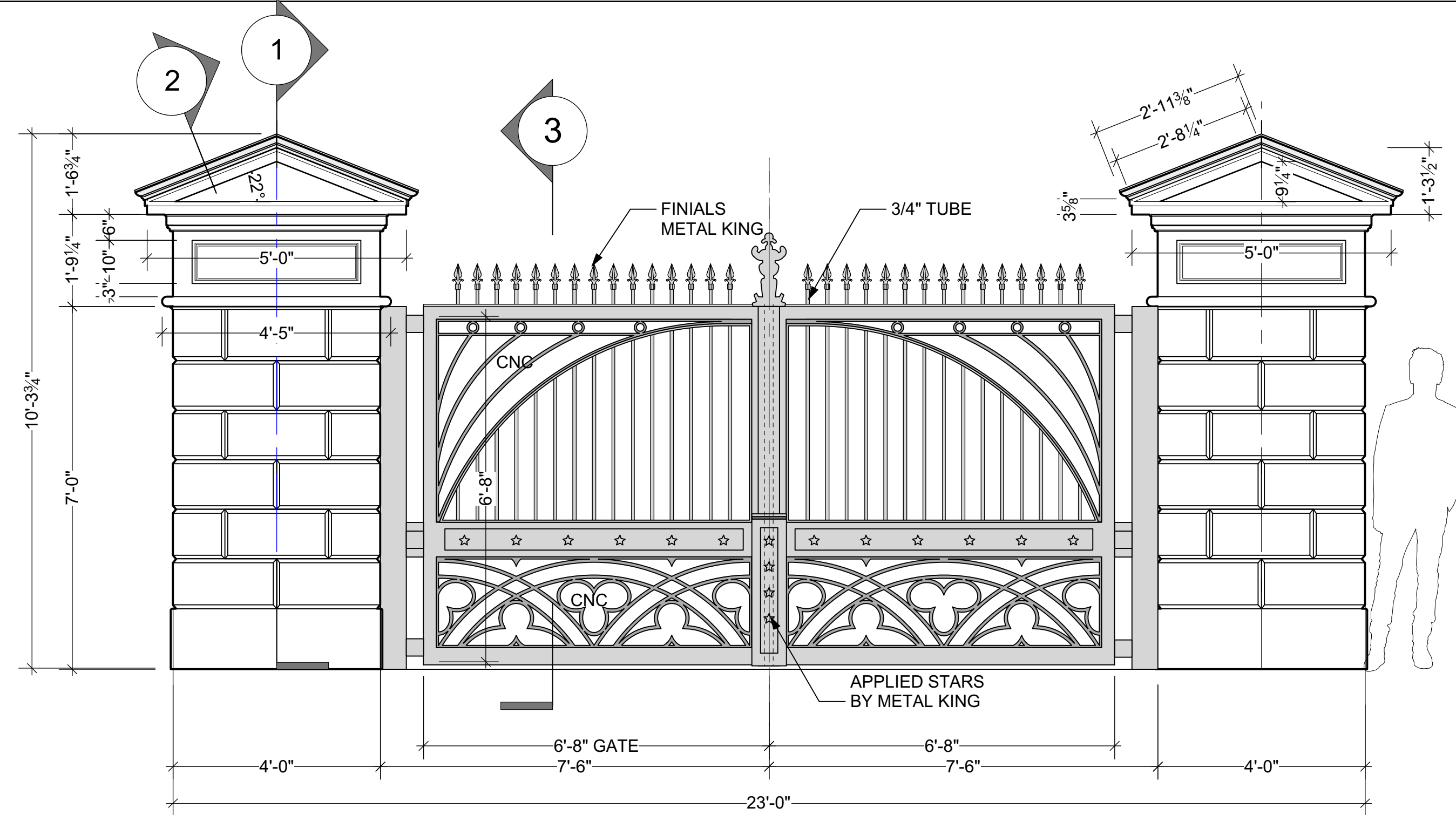
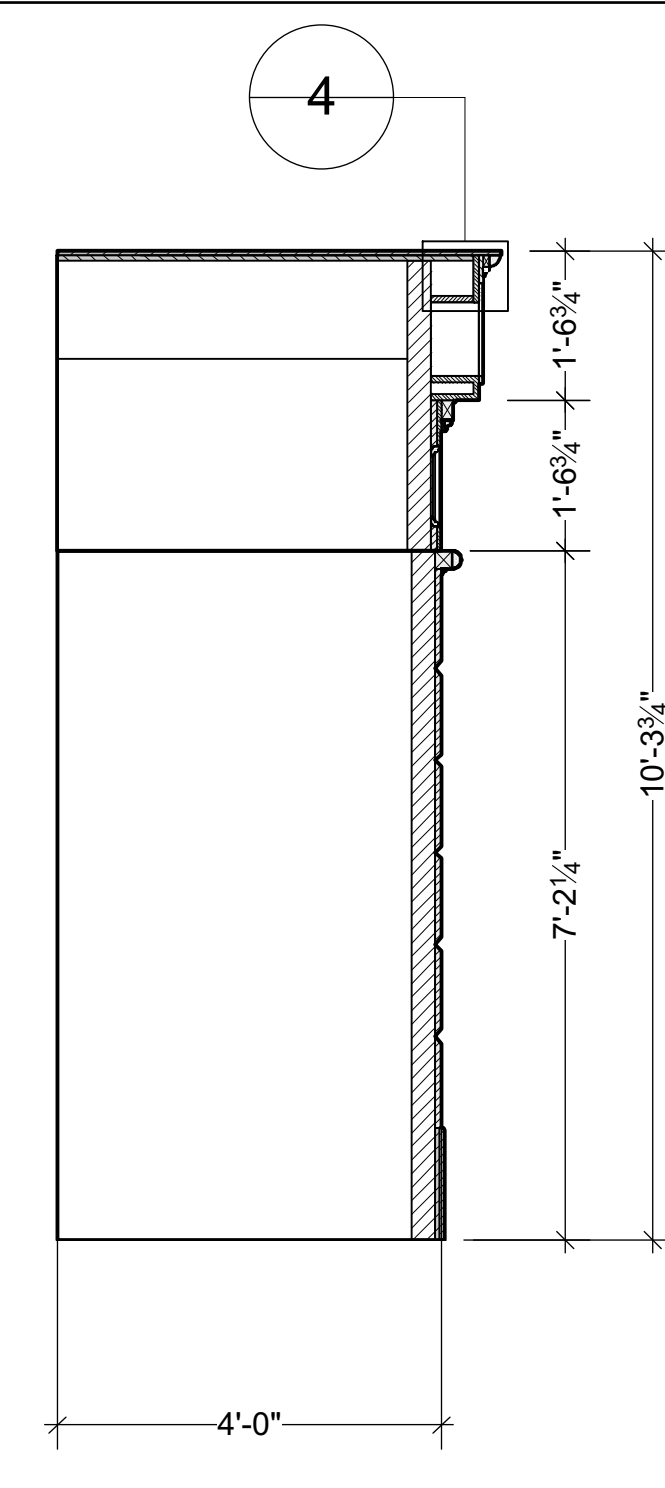


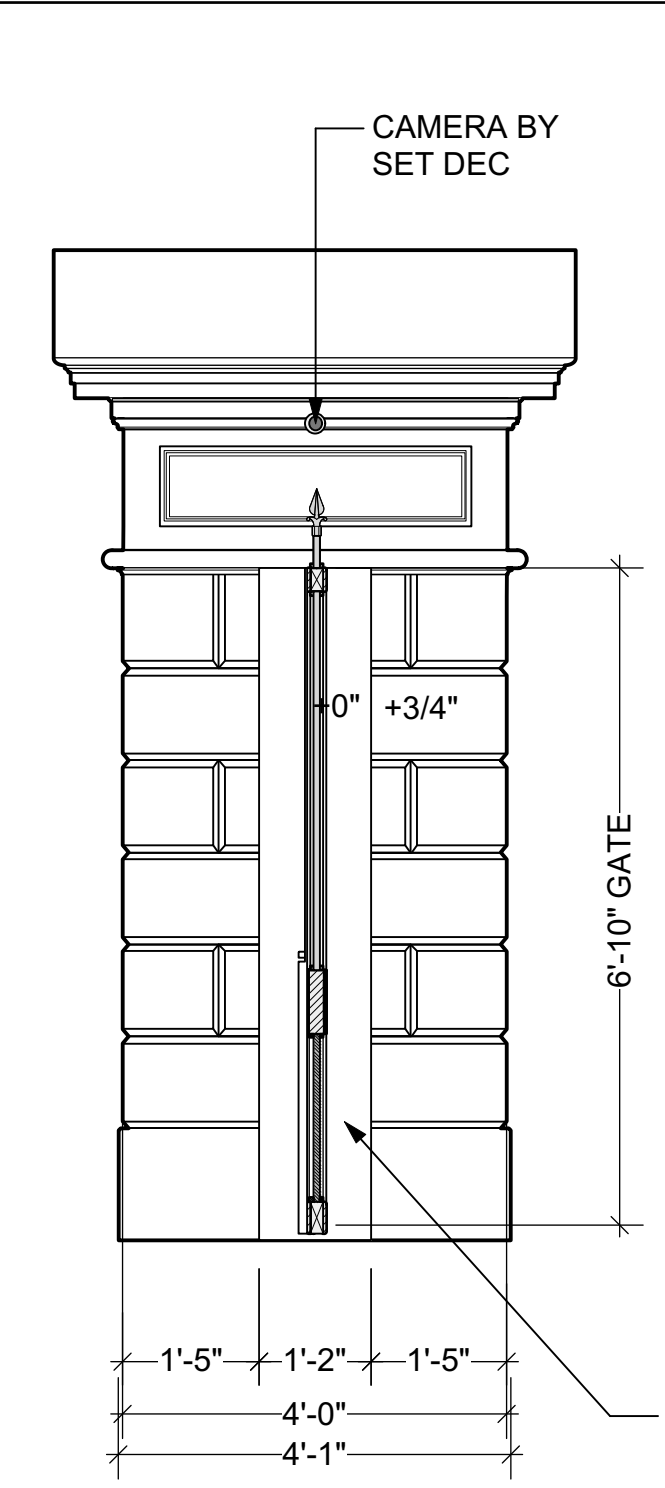
**B** SIDE VIEW  
Scale: 1/2" = 1'-0"



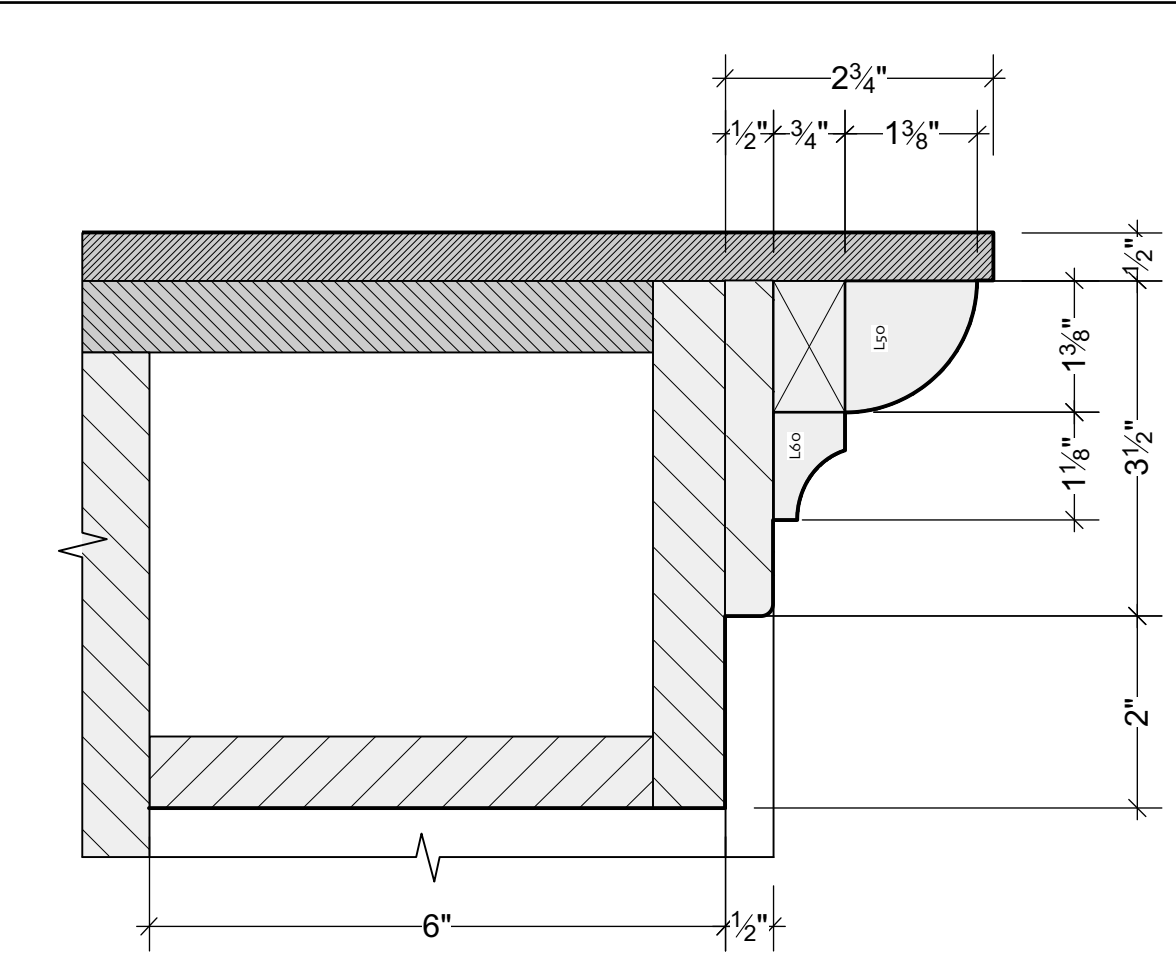
**A** FRONT ELEVATION  
Scale: 1/2" = 1'-0"



**1** SECTION  
Scale: 1/2" = 1'-0"

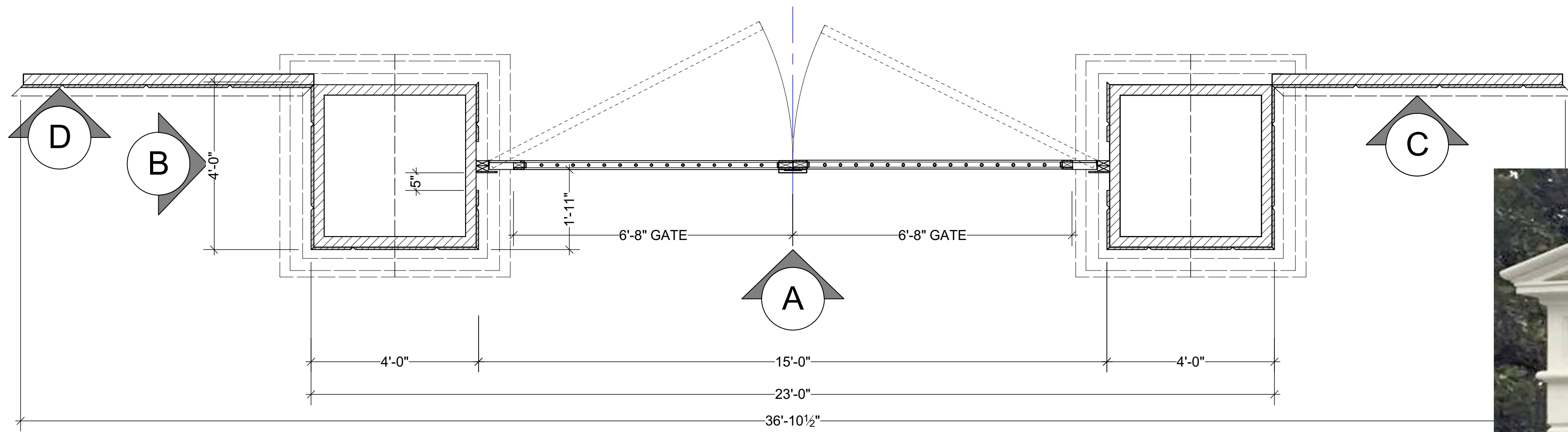


**3** SECTION  
Scale: 1/2" = 1'-0"



**2** DETAIL SECTION 2  
Scale: Half Actual Size

NO MASONRY DETAILS  
FLAT SURFACE

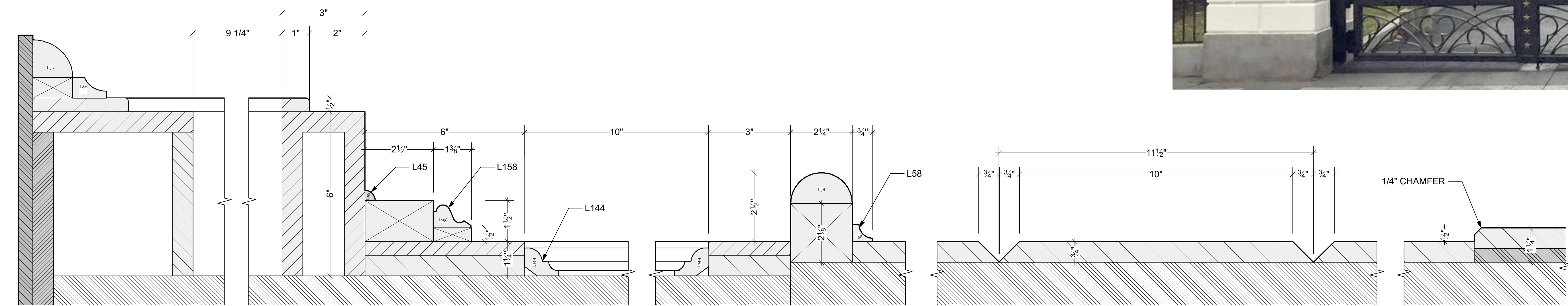


**PLAN**  
Scale: 1/2" = 1'-0"

**NOTE:** BOTH DOOR FINCTIONAL, ADD CASTERS  
WILL OPEN TO CAMERA



**REFERENCE**



**4** DETAIL SECTION 1  
Scale: Half Actual Size

**RELEASED** Date: 11/15/18

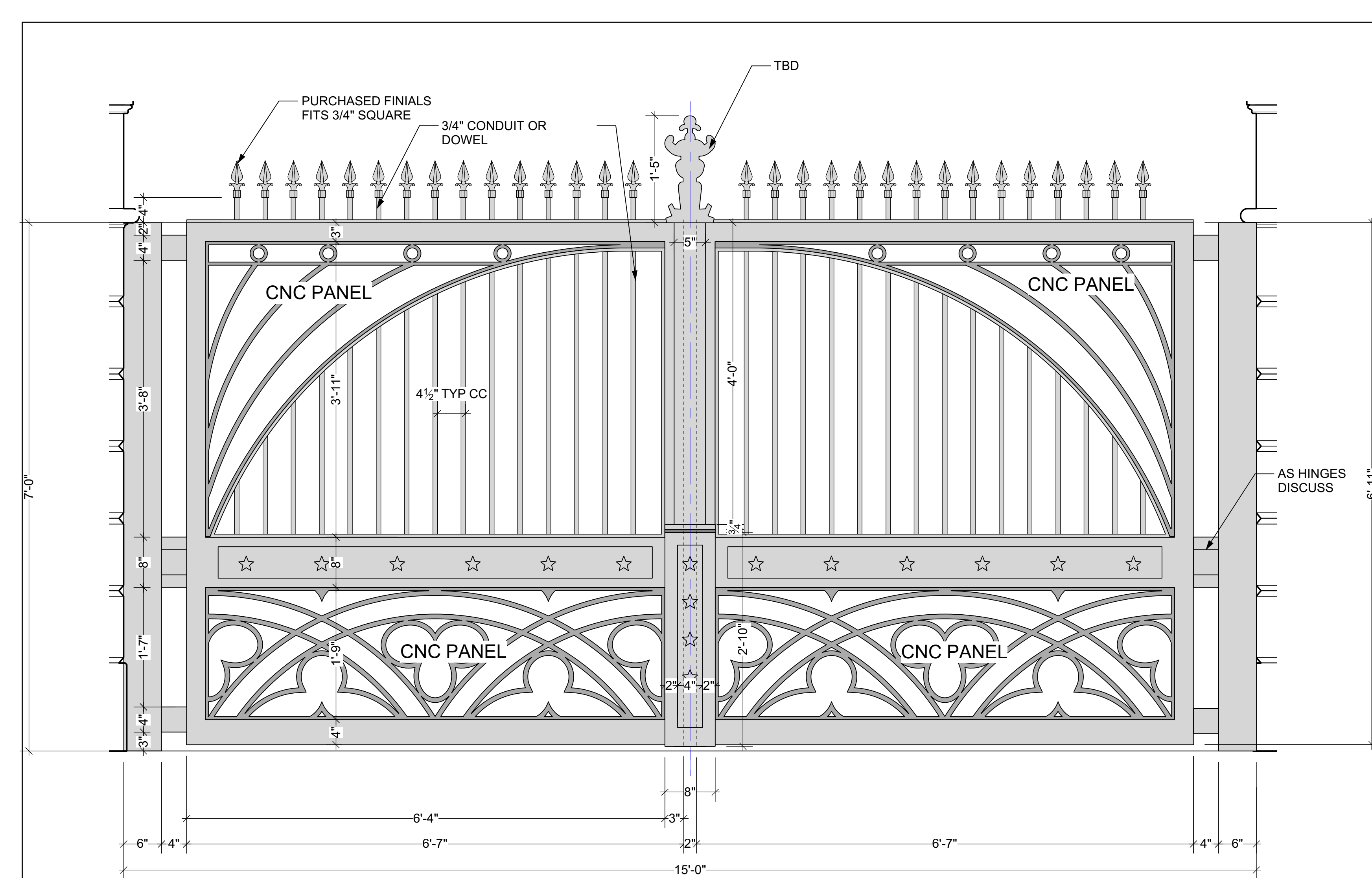
**THE BLACKLIST** SEASON 6

SET TITLE: EXT - WHITE HOUSE GATE  
DRAWING: PLAN & ELEVATIONS  
LOCATION: STAGE D  
SCALE: 1/2" = 1'-0" DATE: 11/15/18 DRAWN BY: SIA B  
APPROVED: [Signature] REVISED: [Signature]

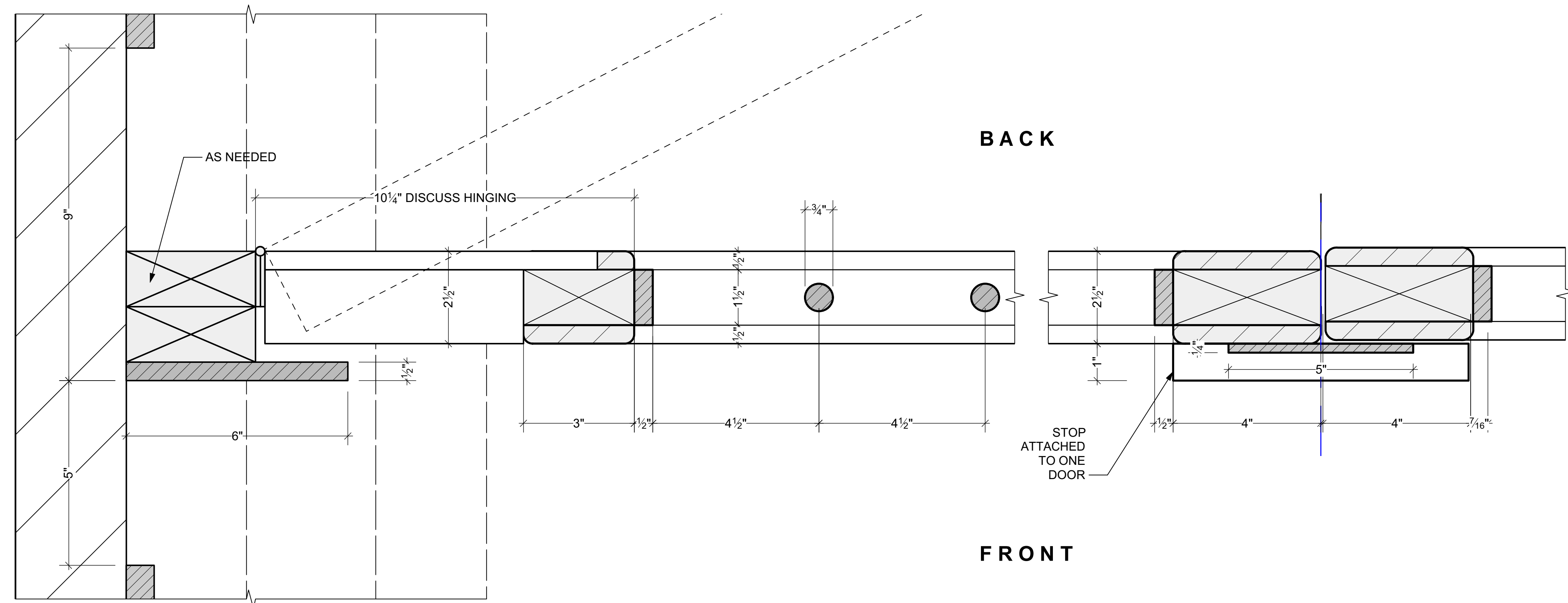
REV: 0040  
SHEET # 01 OF 02

DIRECTOR: ANDREW MCCARTHY PRODUCER: LAURA BENSON  
PRODUCTION DESIGNER: NICHOLAS LUNDY CONSTRUCTION COORDINATOR: RON PETAGNA JR.

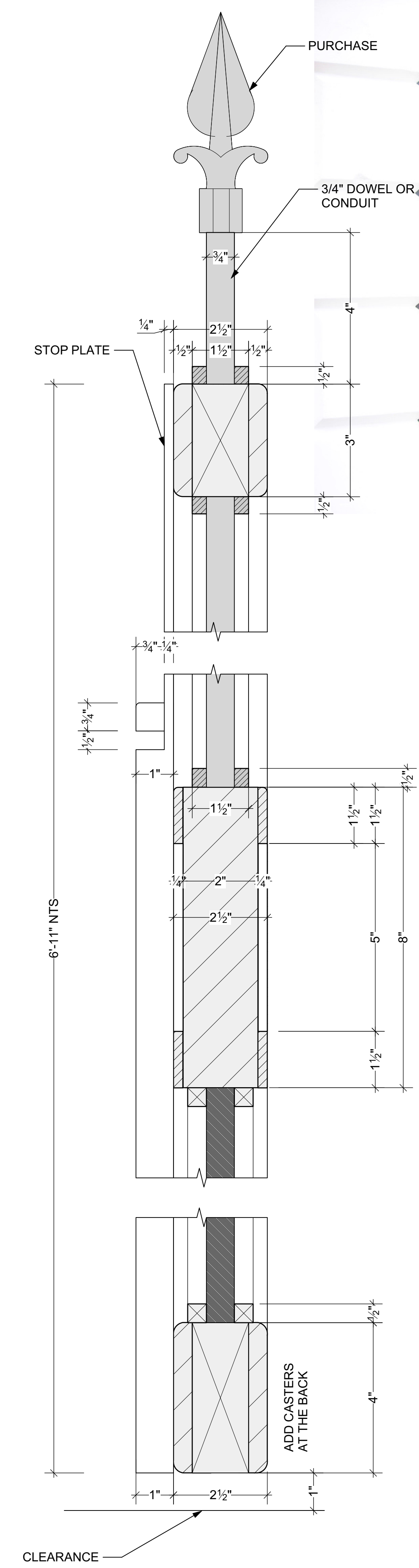
**EPISODE#: 611**



1 FRONT ELEVATION  
Scale: 1" = 1'-0"



2 DETAIL GATE  
Scale: Half Actual Size



REFENCE

**NOTE**  
GATE PAINTED BLACK

**RELEASED** Date: 11/15/18

<b>THE BLACKLIST</b> SEASON 6	
SET TITLE: EXT - WHITE HOUSE GATE	SET # <b>0040</b>
DRAWING: metal gate details	SHEET # <b>02</b>
LOCATION: STAGE D	DATE: 11/15/18
SCALE: 1/2" = 1'-0"	DRAWN BY: SIA B
APPROVED:	REVISED:
DIRECTOR: ANDREW MCCARTHY PRODUCER: LAURA BENSON PRODUCTION DESIGNER: NICHOLAS LUNDY CONSTRUCTION COORDINATOR: RON PETAGNA JR.	

EPISODE#: 611